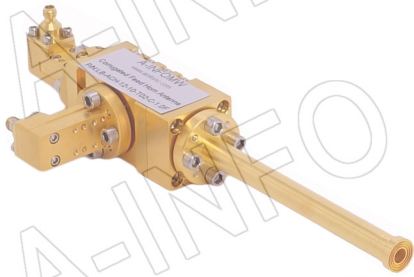


For reference only. See data sheet for the detailed specifications.

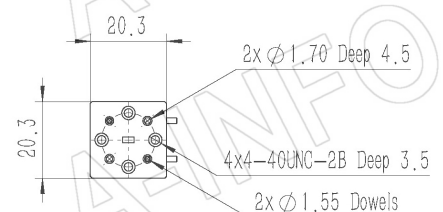
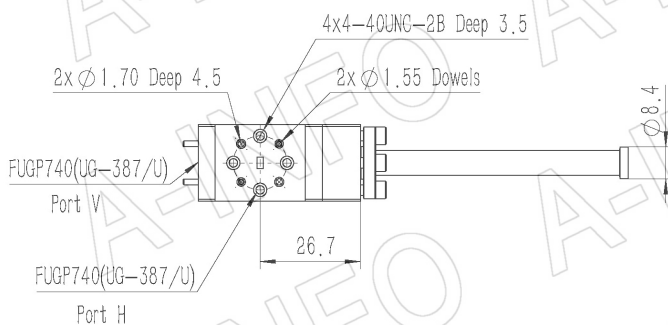
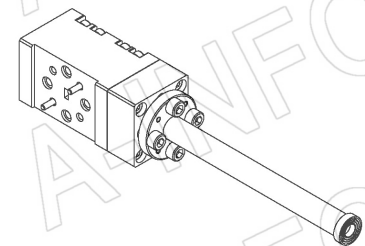
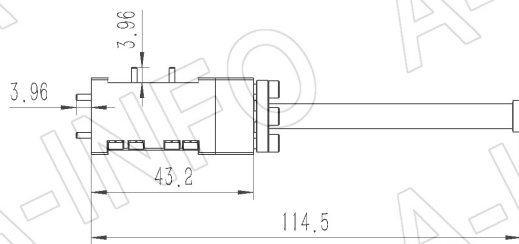
Technical Specification



| | |
|----------------------------|-----------------------------|
| Frequency Range(GHz) | 60.0 – 90.0 |
| Waveguide | WR12 |
| Gain(dBi) | 10 Typ. |
| Polarization | Dual Linear |
| 3dB Beamwidth(deg) | E Plane: 61 Typ. |
| | H Plane: 60 Typ. |
| 10dB Beamwidth(deg) | E Plane: 111 Typ. |
| | H Plane: 108 Typ. |
| Cross Pol. Isolation(dB) | 40 Typ. |
| Port to Port Isolation(dB) | 50 Typ. ; 40 Min. |
| VSWR | A Type: 1.60:1 Typ. |
| | C Type: 1.80:1 Typ. |
| Output | A Type: FUGP740(UG-387/U) |
| | C Type: 1.0mm-Female |
| Material | Cu |
| Finish | Gold Plated |
| Size(mm) | A Type: 20.3 x 20.3 x 114.5 |
| | C Type: 44.6 x 25.6 x 139.9 |
| Net Weight(Kg) | A Type: 0.14 Around |
| | C Type: 0.19 Around |

Outline Drawing (Size: mm)

FUGP740 Output (P/N: LB-ACH-12-10-T02-A)



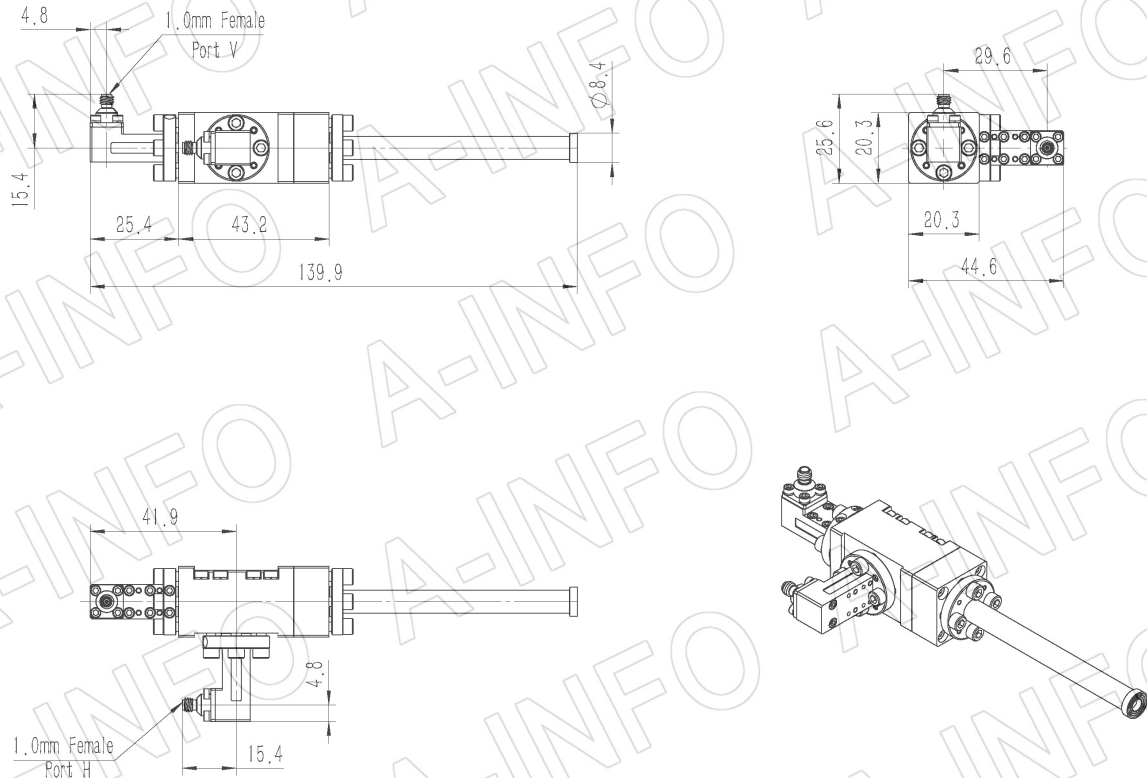
AINFO Inc.

China(Beijing): Tel: (+86) 10-6266-7326,
China(Chengdu): Tel: (+86) 28-8519-2786,
USA: Tel: (+1) 949-639-9688,

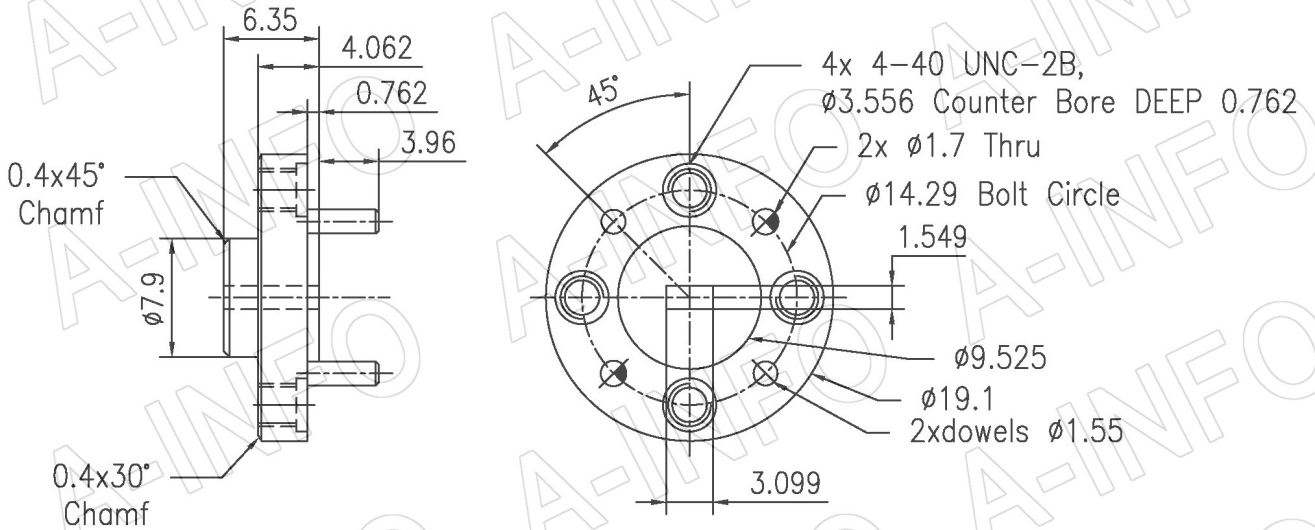
(+86) 10-6266-7327 Fax: (+86) 10-6266-7379
(+86) 28-8519-3044 Fax: (+86) 28-8519-3068
(+1) 949-639-9608 Fax: (+1) 949-639-9670

Website: www.ainfoinc.com
Email: sales@ainfoinc.com

1.0mm-Female Output (P/N: LB-ACH-12-10-T02-C-1.0F)



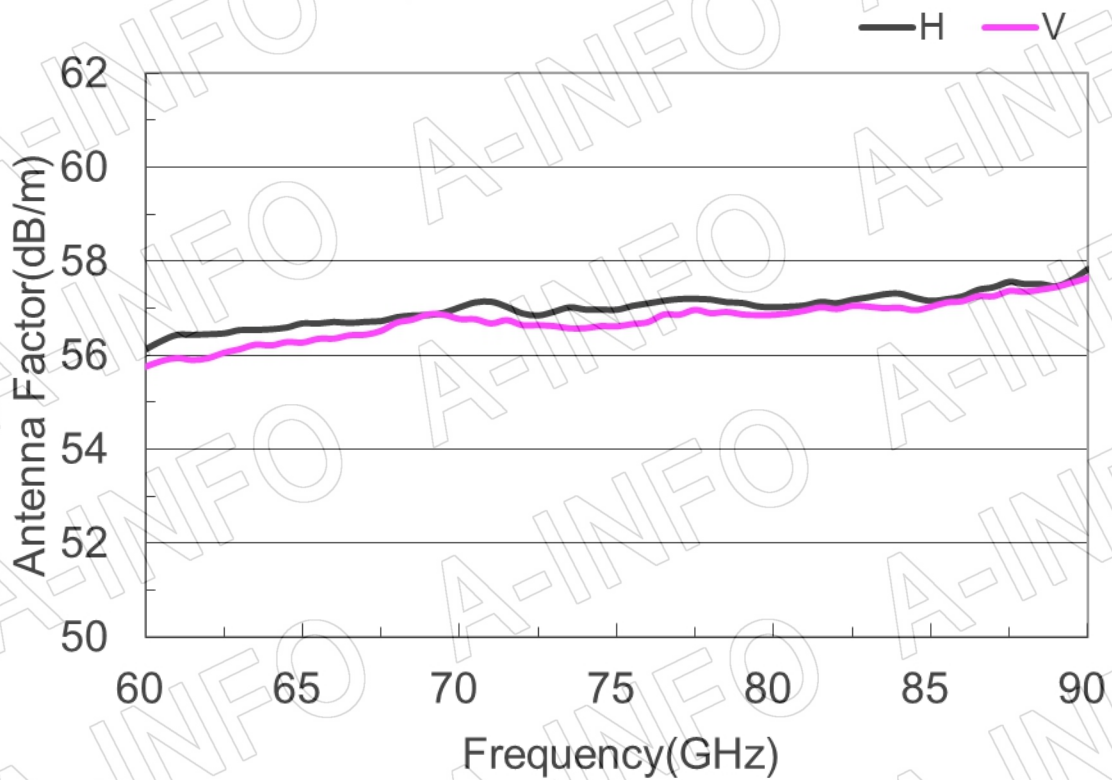
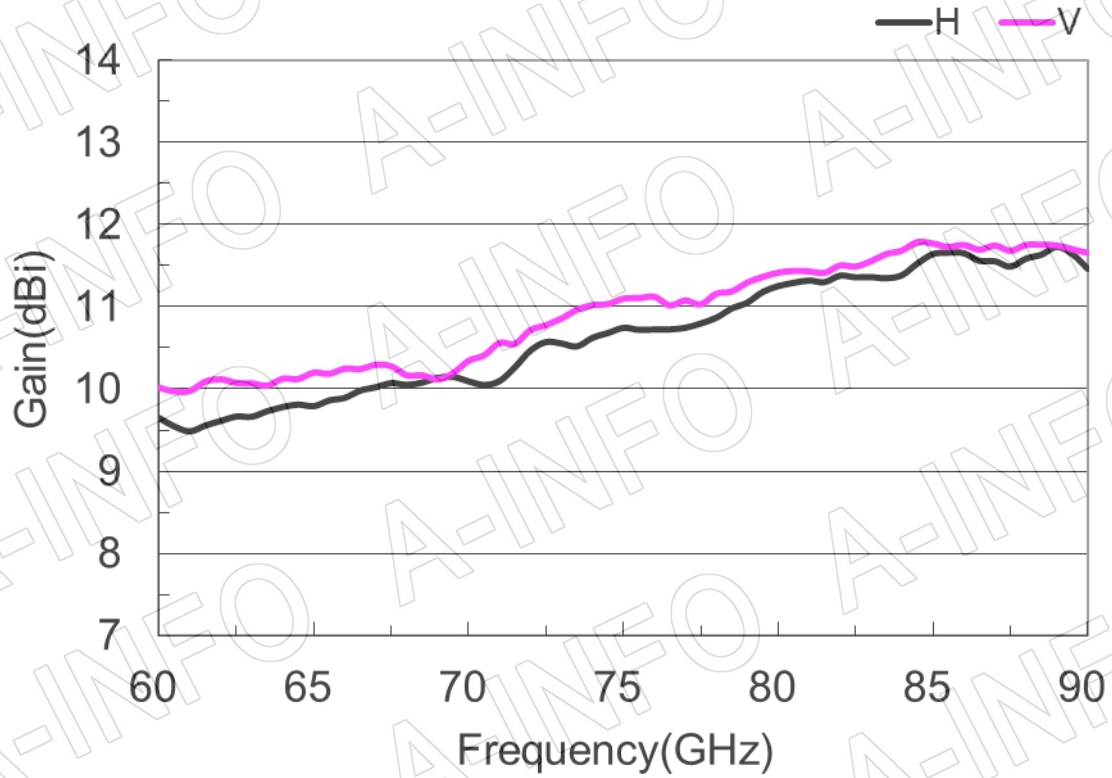
Flange Drawing (Size: mm)



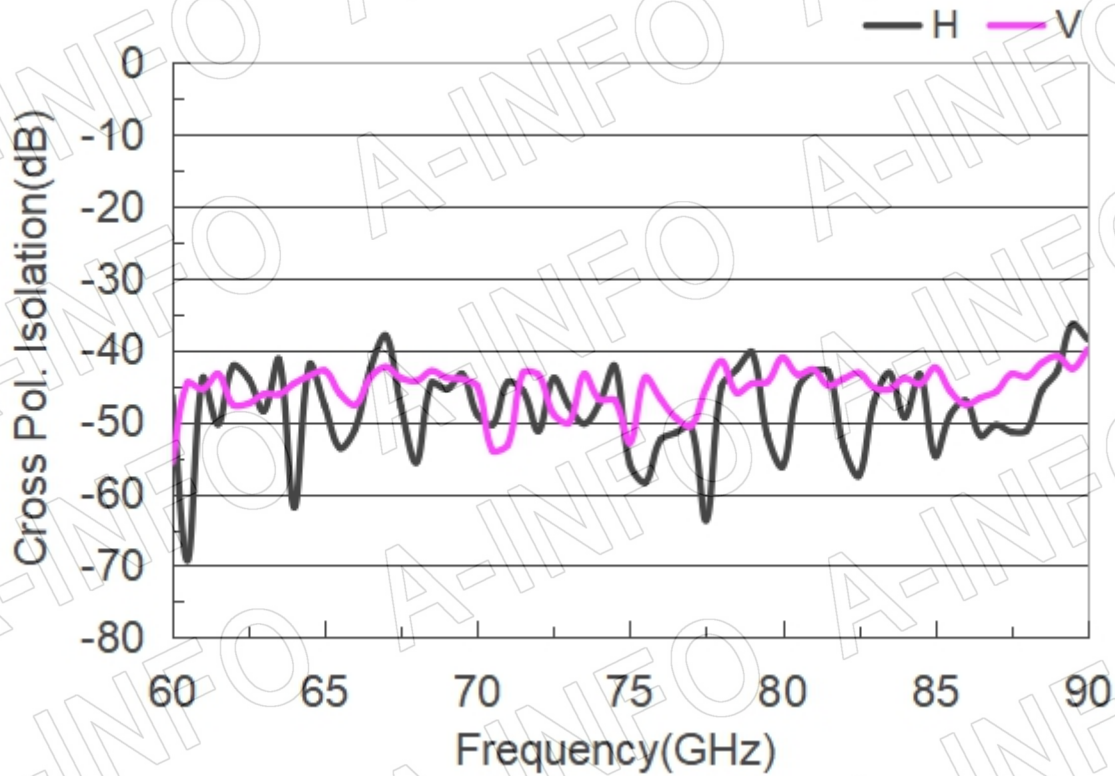
FUGP740
(equivalent to UG-387/U)

Test Results

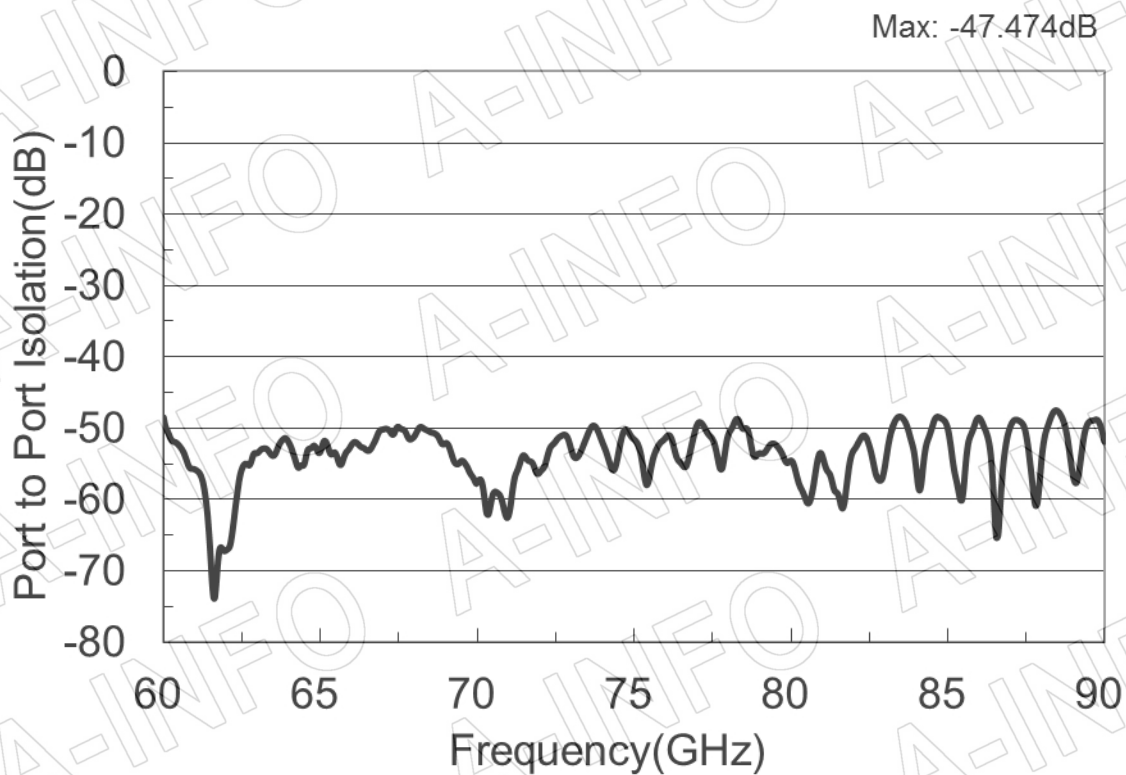
1. Gain & Antenna Factor



2. Cross Polarization Isolation



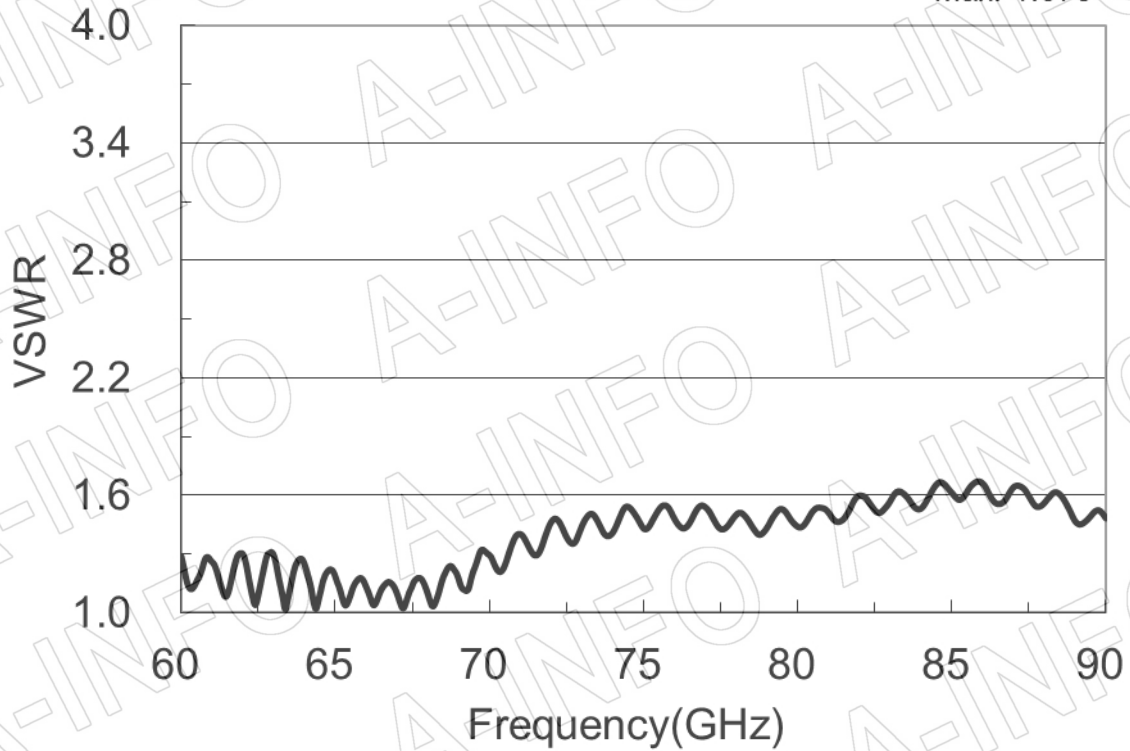
3. Port to Port Isolation



4. VSWR_A Type

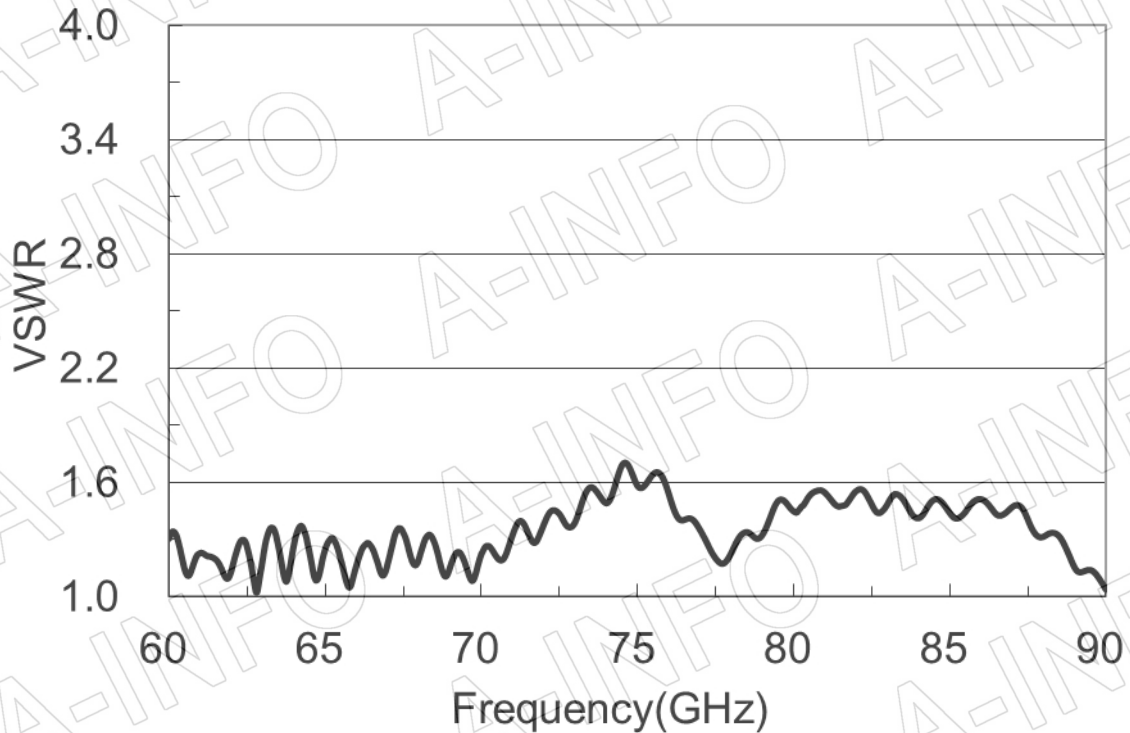
Port-H

Max: 1.673



Port-V

Max: 1.707



AINFO Inc.

China(Beijing): Tel: (+86) 10-6266-7326,
China(Chengdu): Tel: (+86) 28-8519-2786,
USA: Tel: (+1) 949-639-9688,

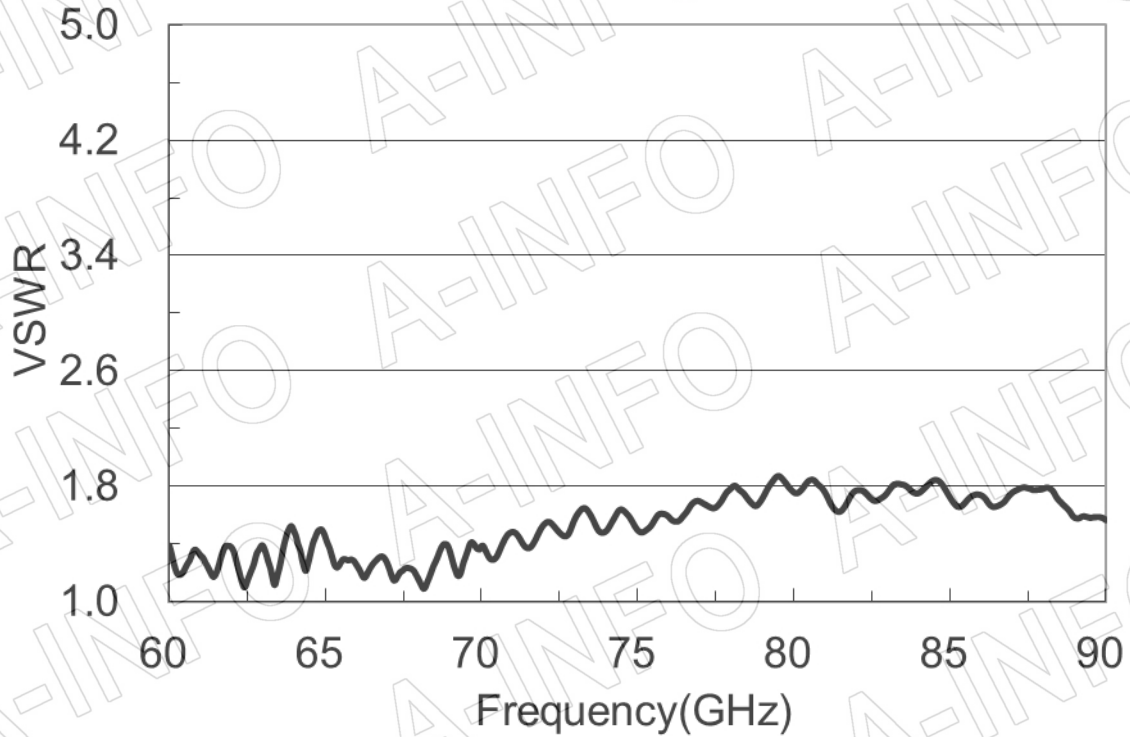
Page 5 of 17

(+86) 10-6266-7327 Fax: (+86) 10-6266-7379
(+86) 28-8519-3044 Fax: (+86) 28-8519-3068
(+1) 949-639-9608 Fax: (+1) 949-639-9670

Website: www.ainfoinc.com
Email: sales@ainfoinc.com

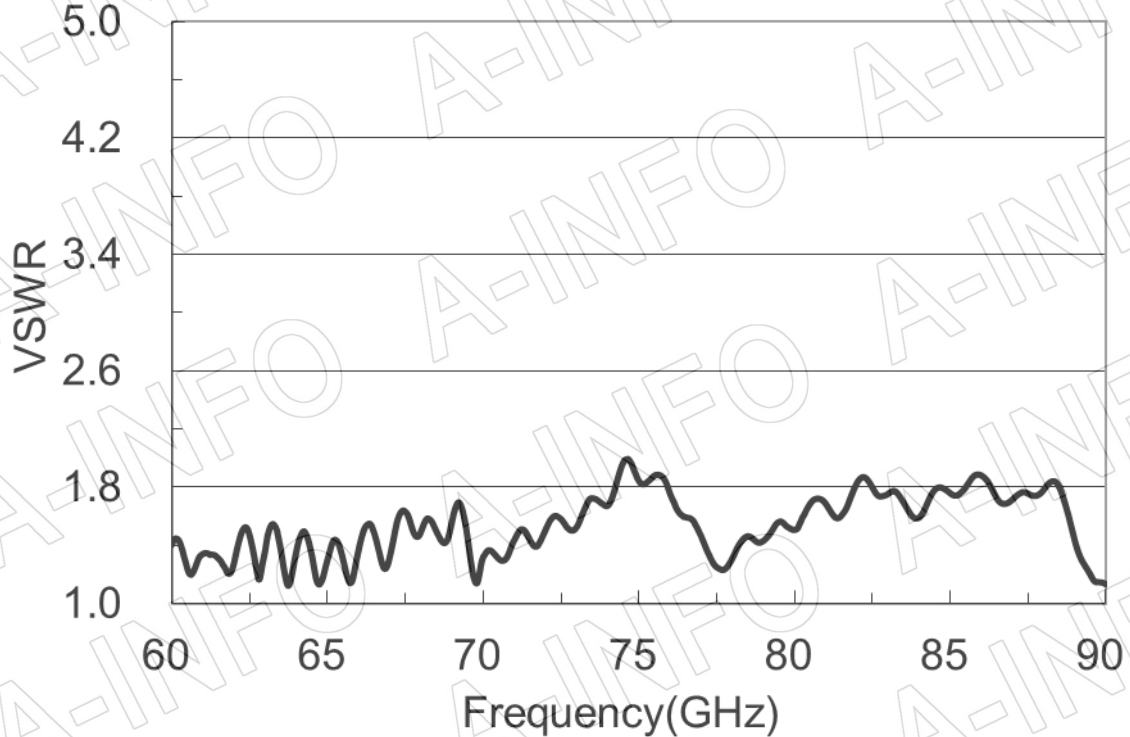
VSWR_C Type
Port-H

Max: 1.873



Port-H

Max: 1.998



5. Pattern

